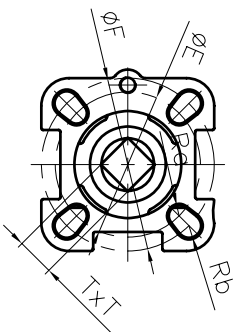
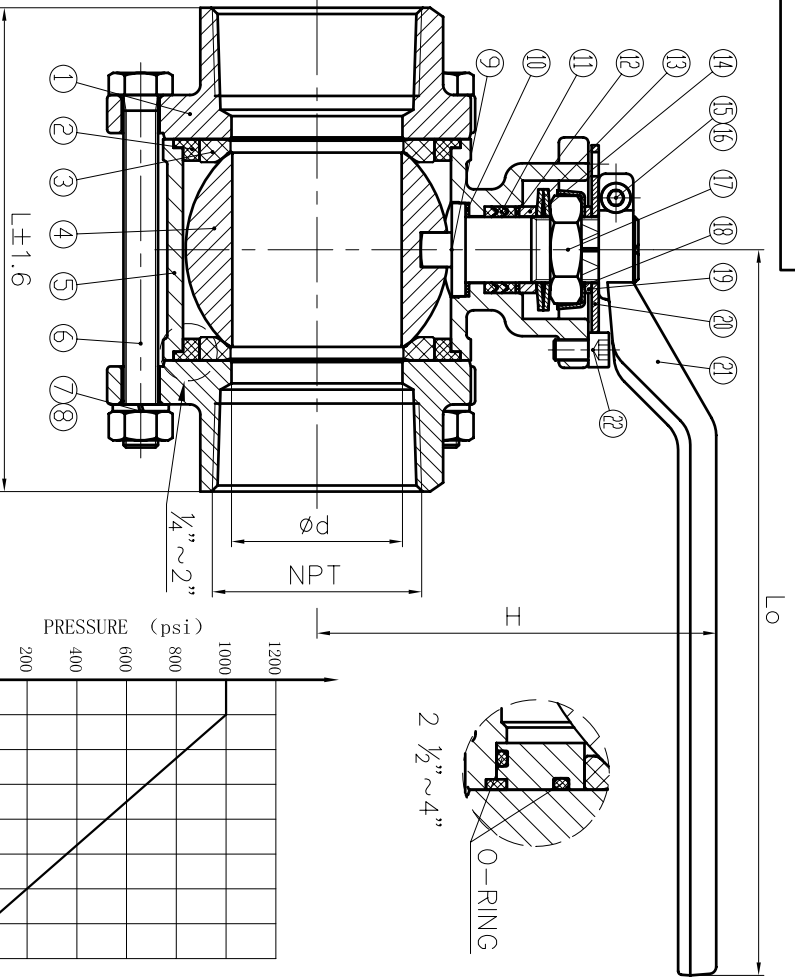
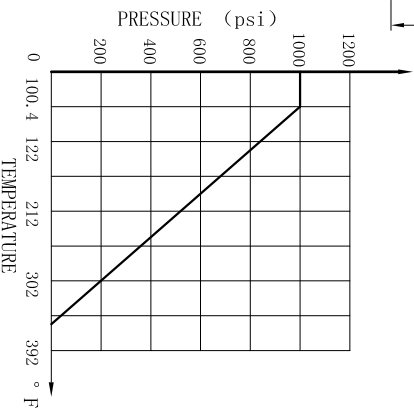


0001 /N9R61HAB



Nominal pressure	1000PSI	
	Shell test 10.4	Test medium
Test pressure	Seal test 7.6 Mpa	Water temperature
Gas seal test	0.6	Air
Applicable medium	Water, Oil, Gas	
Applicable temperature	-20 ~ 356 °F	

NPS	L	d	NPT	Lo	H	E	F	a	b	TxT	Weight (lb)
1/2"	2.953	0.591	1/2"	5.118	2.638	1.417	1.654	0.118	0.118	0.354x0.354	1.477
3/4"	3.150	0.768	3/4"	5.118	2.972	1.417	1.654	0.118	0.118	0.354x0.354	1.477
1"	3.543	0.984	1"	5.906	3.504	1.654	1.969	0.118	0.138	0.433x0.433	2.072
1 1/4"	4.331	1.260	1 1/4"	5.906	3.70	1.654	1.969	0.118	0.138	0.433x0.433	3.307
1 1/2"	4.724	1.496	1 1/2"	8.268	4.350	1.969	2.756	0.138	0.177	0.551x0.551	4.497
2"	5.512	1.929	2"	8.268	4.587	1.969	2.756	0.138	0.177	0.551x0.551	6.790
2 1/2"	6.299	2.520	2 1/2"	8.268	5.197	1.969	2.756	0.138	0.177	0.551x0.551	-
3"	7.087	3.031	3"	10.630	6.142	2.756	4.016	0.177	0.217	0.669x0.669	-
4"	8.465	3.898	4"	12.598	6.772	2.756	4.016	0.177	0.217	0.669x0.669	-



NO.	DESCRIPTION	QTY	MATERIAL
22	HEX SOCKET BOLT	1	A193 B8
21	HANDLE	1	STAINLESS STEEL
20	LOCATOR	1	304
19	WASHER	1	304
18	STOPPER	1	304
17	NUT	1	A194 8
16	HEX SOCKET BOLT	1	A193 B8
15	NUT	1	A194 8
14	BUTTERFLY SPRING	1	304
13	GLAND	1	304
12	GRAPHITE PACKING	1	GRAPHITE
11	PACKING	1	RPTFE
10	STEM WASHER	1	RPTFE
9	STEM	1	A276 316
8	NUT	-	A194 8
7	SPRING WASHER	-	304
6	HEXAGON HEAD BOLT	-	A193 B8
5	BODY	1	A351 CF8M
4	BALL	1	SS316
3	SEAT	2	RPTFE
2	GASKET	2	RPTFE
1	BONNET	2	A351 CF8M

ANIX®

ANIX VALVE CO., LTD

3PC Ball Valve 1000PSI, NPT
RPTFE Seals, High Mounting Pad

BVH13R6N/1000

- NOTE:
1. Design and Manufacture for valve according to ASME B16.34.
 2. Inspection and Test for valve according to API 598.
 3. The connection of screwed for valve according to ANSI B1.20.1.